

SureLinX Series Quarter Wave Stub DIN 7/16 Protector

RF/Coaxial Surge Suppression Solutions

FEATURES

- Unique dual-band design
- Bulkhead Body
- DC Blocking and Band Pass Filter
- Easy Installation & Maintenance Free
- Robust Construction

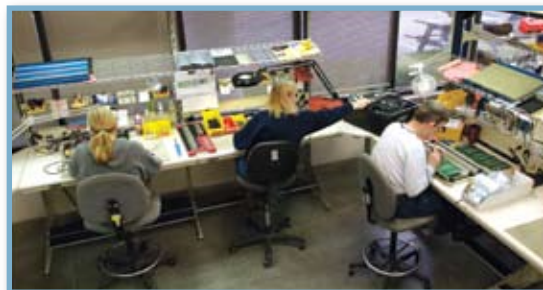
ACData SureLinX Quarter Wave Stub (QWS) protectors provide superior industry leading protection to modern base station radio transceiver equipment.

Operating using frequency domain technology, ACData's SureLinX QWS uses a precision frequency calibrated resonant chamber. At base station transceiver frequencies, SureLinX passes the RF signal with minimal signal loss and reflection. At lightning frequencies, SureLinX passes the destructive energy directly to ground.

Tested at Ryan Labs™ to withstand actual lightning current amplitude and waveform, ACData Solutions SureLinX is the *SURE* solution protection for critical base stations.



*Shown, RF3-716-BFM model.
All RF protectors are tested with
a state-of-the-art network analyzer.*



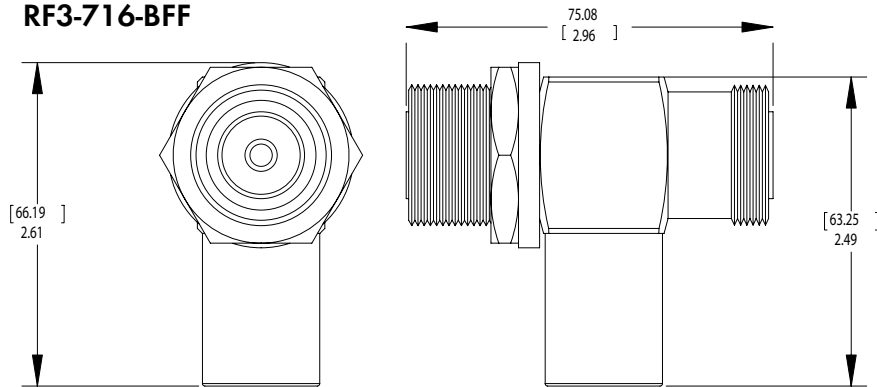
*Our production team
assembles each product
following a strict quality
management system.*

SureLinx Series Quarter Wave Stub DIN 7/16 Protector

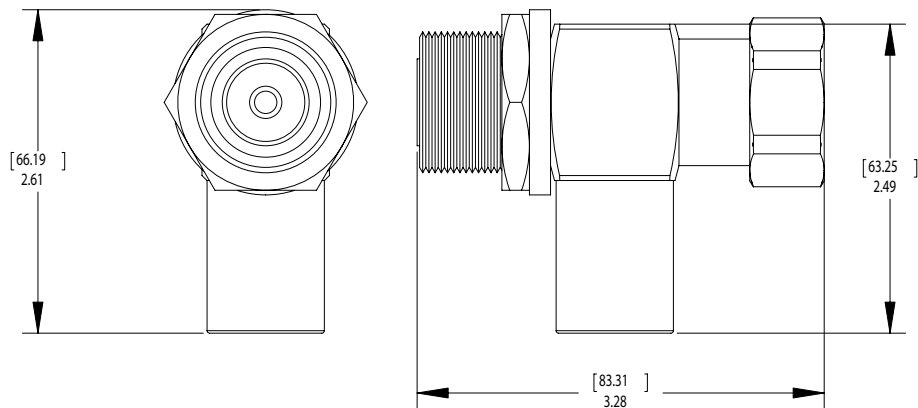
TECHNICAL SPECIFICATIONS

Model Number	RF3-716-BFF	RF3-716-BFM
Impedance	50 Ω	50 Ω
Connector Type, 7/16 DIN	Bulkhead Female-Female	Bulkhead Female-Male
Maximum Impulse	50 kA @ 8/20 μ s	50 kA @ 8/20 μ s
Operating Frequency	698 - 2200 MHz	698 - 2200 MHz
Maximum RF Power	2000 Watts	2000 Watts
Insertion Loss	≤ 0.1 dB	≤ 0.1 dB
Return Loss	≥ 26 dB	≥ 26 dB
VSWR	≤ 1.1	≤ 1.1
Operation Temperature	-40° to +80° C	-40° to +80° C
Relative Humidity	$\leq 95\%$ @ 25° C	$\leq 95\%$ @ 25° C

RF3-716-BFF



RF3-716-BFM



806 W. Clearwater Loop
 Suite C, Post Falls, Idaho 83854
 P 208.777.1166 T 800.890.2569
 F 208.777.4466 www.acdata.com



From order entry to shipment processing, ACData is committed to customer service and quality.



ACData is dedicated to exceeding our customers' expectations by providing quality products, personal service, and responsiveness through communication, responsibility, teamwork and innovation. We are committed to complete customer service through a comprehensive warranty plan, 24 hour customer care, and complete engineering support.