

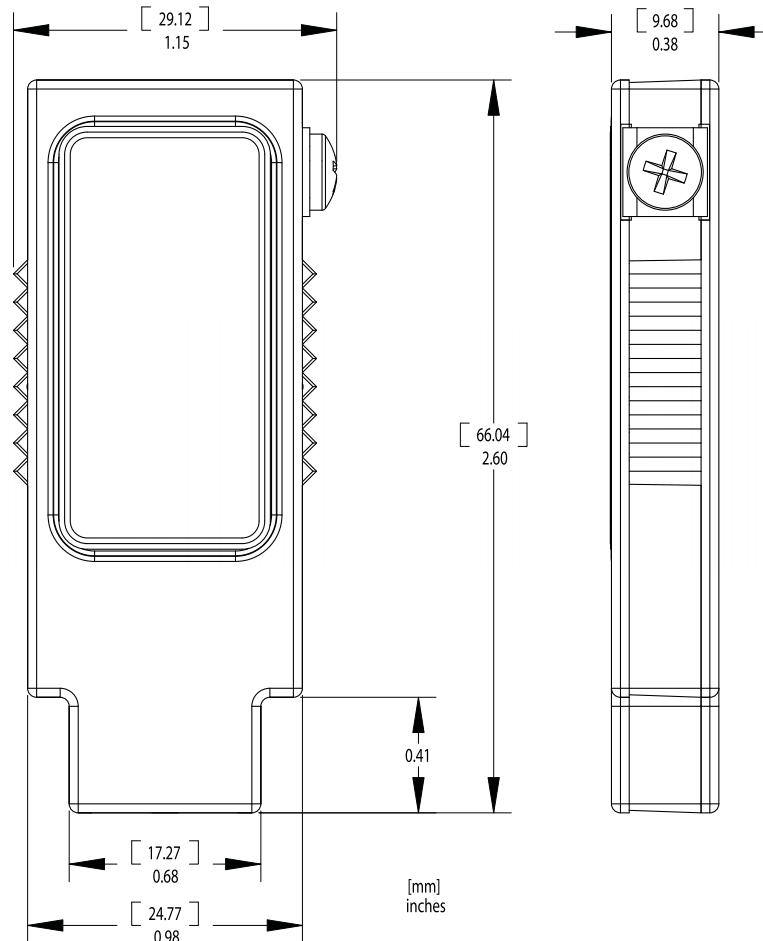
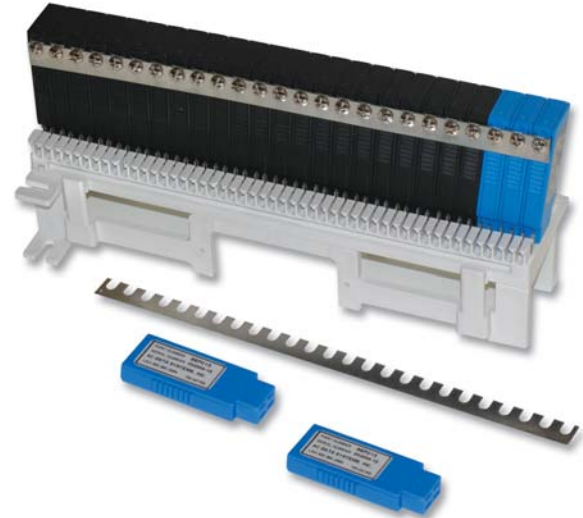
M66 Series

Data Surge Suppression Solutions

ACData

FEATURES

- Fits all 66 type M blocks
- High quality PC board construction
- Fast-responding, low-clamping SAD protection
- Optional ground strap available



M66 Series

Data Surge Suppression Solutions

ACData

Specifications			
Model Number	66P015	66P060	66P265
Application	Digital T1 & Data Lines	Data/Modem Lines	Voice/Fax T1 & Data Lines
Operating Voltage	≤ 10 V Nominal	≤ 40 V Nominal	≤ 220 V Nominal
Clamp Voltage	16.5 V	56 V	265 V
Capacitance	< 100 pF	< 100 pF	< 100 pF
Max Surge (10/1000 μ s)	350 A	100 A	40 A

Accessories: Tin-plated ground strap, 50 pair capacity - Part # OPT GRND

Raycap



GS-07F-0435V



Certified to
ISO 9001:2000

