

DDC Series Plug-in

DC Surge Suppression Solutions

FEATURES

- Housing Meets UL 94-V-0 Fire Rating
- Local and Remote Monitoring Capabilities
- Uses Bipolar SAD Suppression Technology
- Bullet-style DC distribution interface

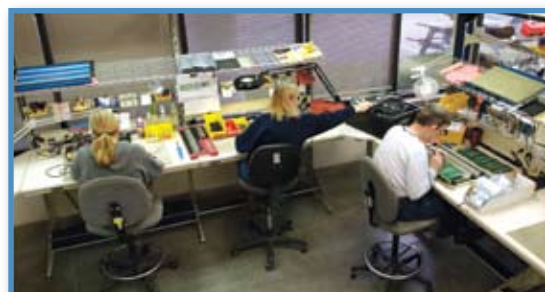
ACData's DDC Series plug-in surge protector maximizes protection of "bullet-style" DC distribution panels, by shunting transients entering from the load side and preventing them from propagating back to the power supply.

The DDC Series features bipolar silicon avalanche diode (SAD) protection. The DDC048 uses four fifteen-joule SADs (60 joules), and the DDC024 uses nine five-joule SADs (45 joules). The DDC Series plugs directly into distribution panels using spring terminals. LEDs and Form C contacts provide local and remote monitoring capabilities.

Our production team assembles each product following a strict quality management system.



The DDC Series plugs directly into distribution panels.



DDC Series *Plug-in*

ELECTRICAL SPECIFICATIONS

Model Number	DDC048	DDC024
Nominal Operating Voltage	48 VDC nominal	24 VDC nominal
Operating Voltage Range	44 to 60 VDC	+19.5 to 29 VDC
Peak Pulse Current (10 x 1000 μ s)	592 A	975 A
Maximum Dissipation Energy	60 Joules	45 Joules
Maximum Let-Through Voltage	100 V	50 V
Clamping Response Time	< 5 ns	< 5 ns

MECHANICAL

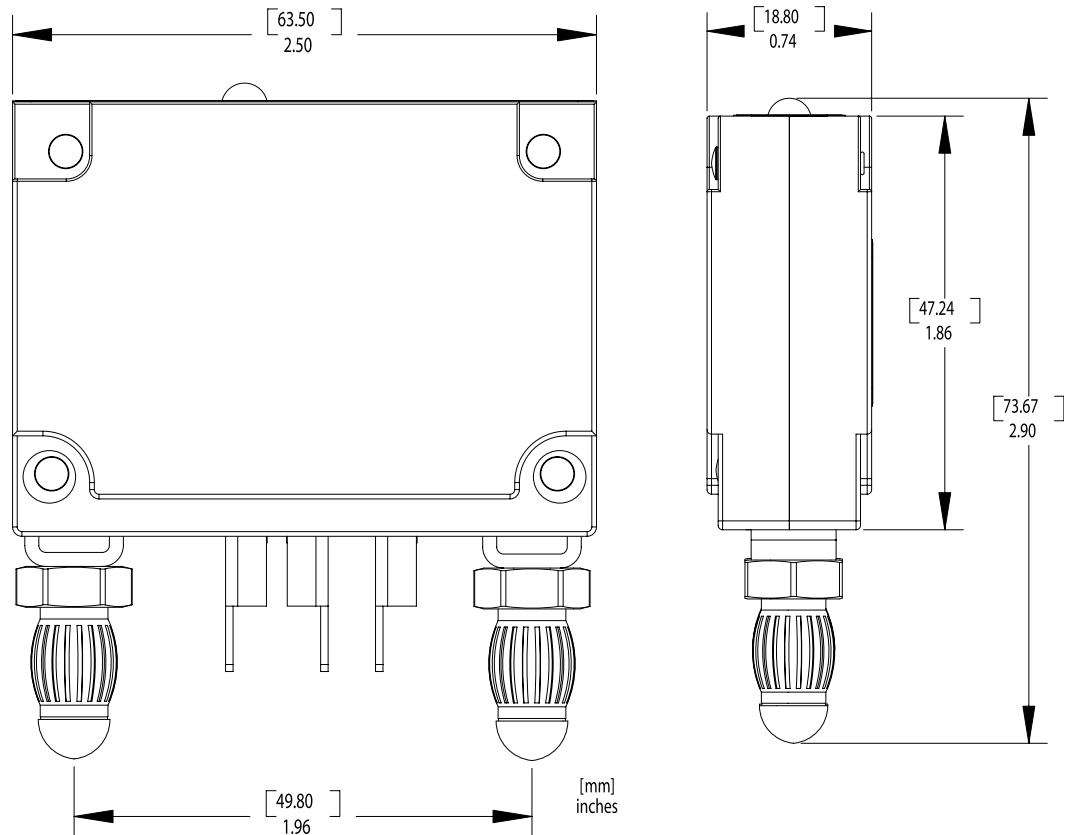
Weight	0.2 lbs (91 g)
Operating Temperature	-20 C to +80 C
Alarm Connections	0.110" flat tab terminals



From order entry to shipment processing, ACData is committed to customer service and quality.

Model DDC048 is pictured in the line drawing below. Please note that dimensions for DDC024 are the same, however plug configuration is different.

ACData is dedicated to exceeding our customer's expectations by providing quality products, personal service, and responsiveness through communication, responsibility, teamwork and innovation. We are committed to complete customer service through a comprehensive warranty plan, 24 hour customer care, and complete engineering support.



ACData
SOLUTIONS

806 W. Clearwater Loop
Suite C, Post Falls, Idaho 83854
P 208.777.1166 T 800.890.2569
F 208.777.4466 www.acdata.com



Certified to
ISO 9001:2000



Schedule
Contract GS-07F-0036

HUBZone
Certified



NATIONAL ASSOCIATION OF
ELECTRICAL DISTRIBUTORS
ASSOCIATE MEMBER