

DCSL Protector 24 V DC

OEM Surge Suppression Solutions

FEATURES

- Maintenance-Free
- High 10,000 A surge capacity
- Low Let-through voltage, even on severe surges
- Screw-down terminal strips for easy installation

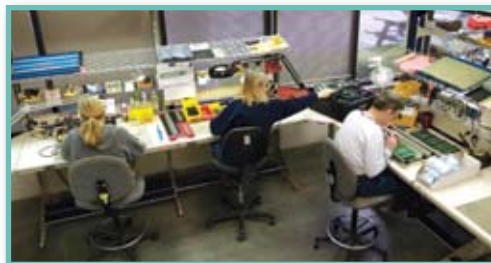
ACData's DCSL-24 provides protection for single-pole, low-power 24 VDC applications. Made to be an integral part of an OEM DC power solution, the DCSL-24 internally bonds the negative to ground. Hybrid silicon avalanche diode (SAD) and metal oxide varistor (MOV) technology provides heavy-duty surge protection between the positive terminals and the grounded negative terminals. Series connection helps to provide low let-through voltage by eliminating the inductive voltage drops found with parallel connected solutions.

Additional voltages or multi-pole protectors which do not bond negative to ground are available upon request.

The DCSL-24 has been deployed as protection of remote solar powered equipment.



The DCSL-24 utilizes an SAD/MOV hybrid technology to provide heavy-duty surge protection.



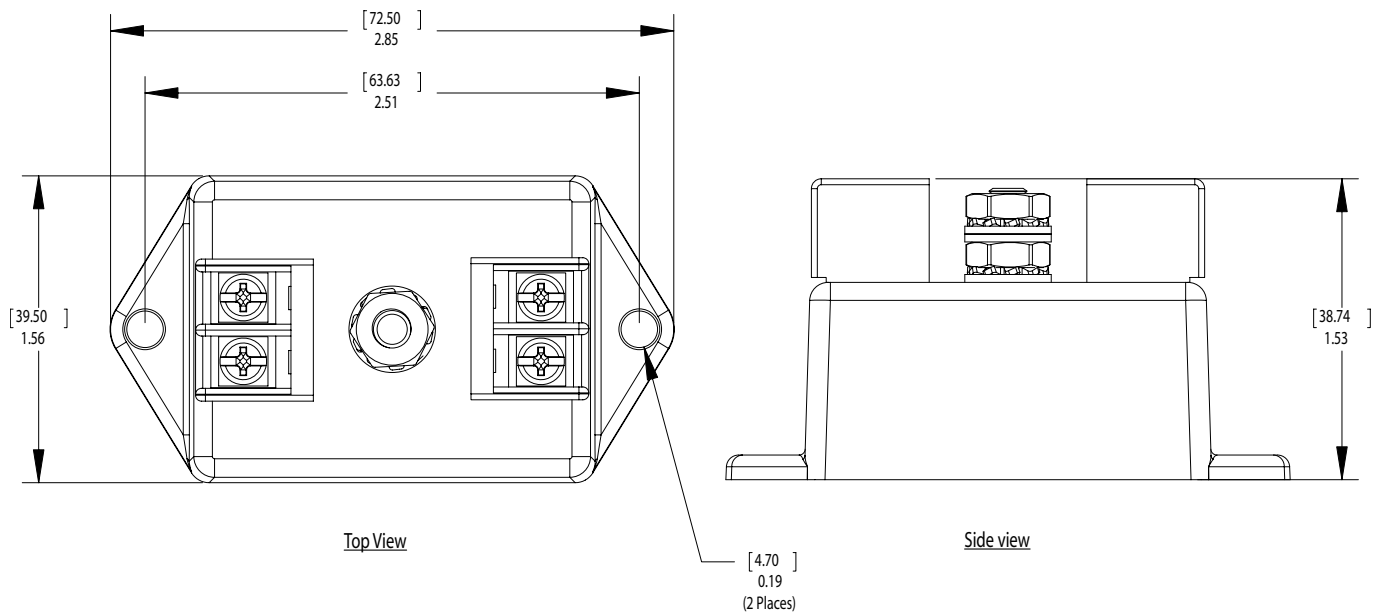
Our production team assembles each product following a strict quality management system.

DCSL Protector 24 VDC

TECHNICAL SPECIFICATIONS

Model Number	DCSL-24
Circuit	24 VDC
Maximum Continuous Operating Voltage (MCOV)	28 VDC + to - and + to ground 0 VDC - to ground*
Maximum Continuous Operating Current	1 Amp
Wire Size	#16 AWG - #22 AWG
Surge Capability	10 kA 8/20 μ s
Operation Temperature	-40° to +80° C

*This protector internally bonds the negative conductor directly to the ground stud.



806 W. Clearwater Loop
 Suite C, Post Falls, Idaho 83854
 P 208.777.1166 T 800.890.2569
 F 208.777.4466 www.acdata.com

From order entry to shipment processing, ACData is committed to customer service and quality.



ACData is dedicated to exceeding our customers' expectations by providing quality products, personal service, and responsiveness through communication, responsibility, teamwork and innovation. We are committed to complete customer service through a comprehensive warranty plan, 24 hour customer care, and complete engineering support.