

DC1-60

OEM Surge Suppression Solutions

FEATURES

- Twin Strikesorb® engines provide both normal mode (-48V to return) and common mode (return to ground) surge protection
- VDE certified to IEC 61643-1
- Maximum surge capacity of 60 kA
- Form C contacts for remote alarm monitoring of protector status

Initially designed for use on the distributed DC system providing power to tower-top and roof-top cellular radios, the DC1-60 is rapidly becoming the protector of choice for all critical 48 V telecom applications.

The DC1-60 utilizes two Strikesorb V30 engines. The V30 engine has a robust 20 kA nominal surge current rating, which has been certified by VDE to IEC 61643-1 Edition 2 and by UL to UL 1449 Edition 3. The 20 kA rating is the highest possible rating in both the UL and IEC specifications.

The new Strikesorb engine has been recognized to UL 1449 Edition 3, meeting all intermediate and high current fault requirements, facilitating its use in OEM applications.



The DC1-60 provides robust lightning and surge protection for high exposure 48 VDC circuits.

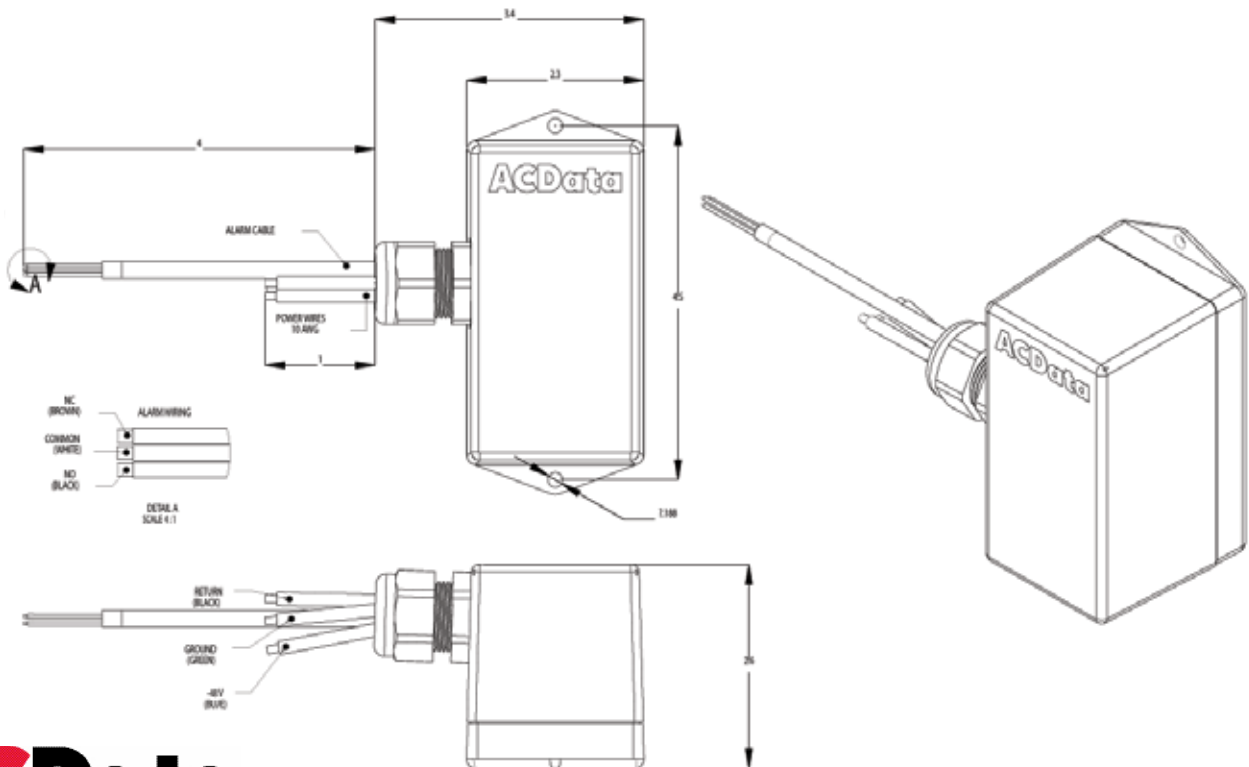
DC1-60

ELECTRICAL SPECIFICATIONS

Model Number	DC1-60
Nominal Operating AC Voltage [U_{n_ac}]	60 V AC
Maximum Continuous Operating AC Voltage [U_{c_ac}]	75 V AC
Maximum Continuous Operating DC Voltage [U_{c_dc}]	100 V DC
Nominal Discharge Current [I_n] per UL 1449 3rd ed.	20 kA 8/20 μ s
Nominal Discharge Current [I_n] per IEC 61643-1	20 kA 8/20 μ s
Maximum Discharge Current [I_{max}] per IEC 61643-1	40 kA 8/20 μ s
Maximum Surge Current per NEMA LS-1 R-2000	60 kA 8/20 μ s
Voltage Protection Level [U_p] per IEC 61643-1 (at I_n)	400 V
Voltage Protection Level at 10 kA per NEMA LS-1	330 v

MECHANICAL

Connection Terminals	#10 AWG pigtail leads
Operating Temperature	-40° C to +85° C



806 W. Clearwater Loop
 Suite C, Post Falls, Idaho 83854
 P 208.777.1166 T 800.890.2569
 F 208.777.4466 www.acdata.com



ACData is dedicated to exceeding our customers' expectations by providing quality products, personal service, and responsiveness through communication, responsibility, teamwork and innovation. We are committed to complete customer service through a comprehensive warranty plan, 24 hour customer care, and complete engineering support.