

POWER

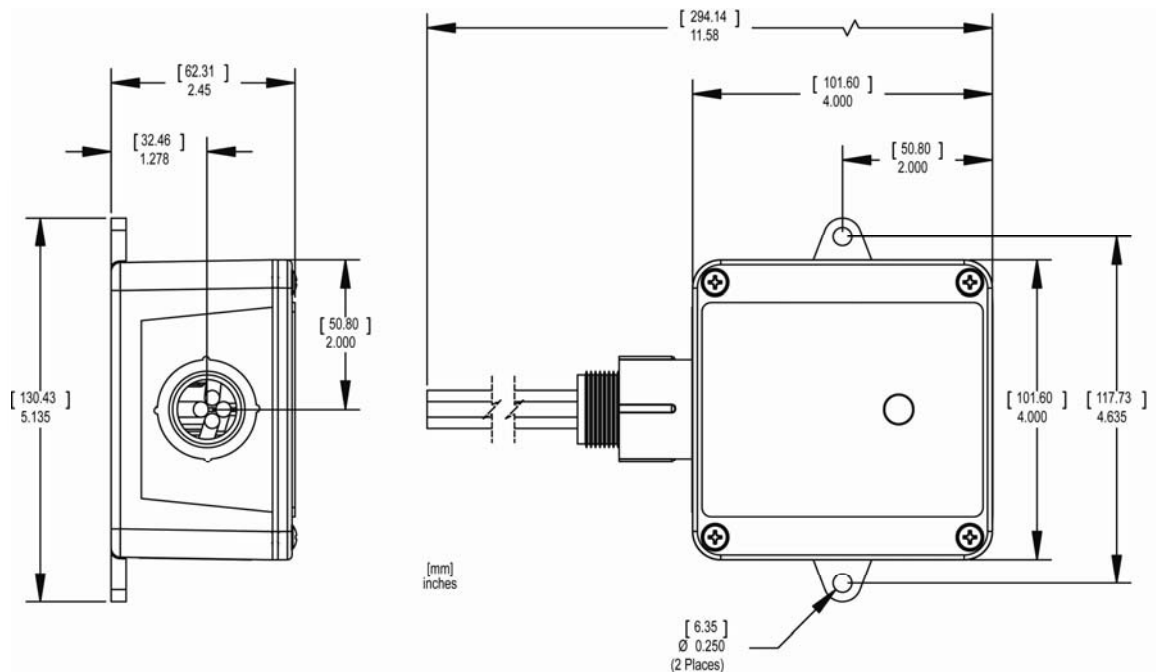
AC OEM SERIES SINGLE PHASE

AC Surge Suppression Solution

ACData

FEATURES

- UL 1449 3rd Edition September 29, 2009
- Normal mode (L-N) suppression and common mode (N-G) suppression
- Thermally fused MOVs
- LED Visual verification of status
- Type 1 Indoor Rated Enclosure and Type 4 Outdoor Rated Enclosure
- Available in 40 kA, 60 kA, and 80 kA max surge capacity



Raycap

AC OEM — SINGLE PHASE

ACData

AC Power Surge Protection

Model	Operating Voltage	Surge Current Capacity	Fault Current Rating	Nominal Current (In)	SPD Type	MCOV	Protection Rating (VPR)	Enclosure Type
AC1040-01-NA	1Φ 120 2W+G	40kA L-N	10kA with No Breaker	10kA	Type 1	140V	600V	PVC Plastic Type 1
		40kA L-G				140V	1000V	
		40kA N-G				140V	600V	
		N/A				N/A	N/A	
AC1040-01W-NA	1Φ 120 2W+G	40kA L-N	10kA with No Breaker	10kA	Type 1	140V	600V	PVC Plastic Type 4
		40kA L-G				140V	1000V	
		40kA N-G				140V	600V	
		N/A				N/A	N/A	
AC1040-02-NA	1Φ 120 2W+G	40kA L-N	65kA with 200 Amp Breaker	10kA	Type 2	140V	800V	PVC Plastic Type 1
		40kA L-G				140V	1200V	
		40kA N-G				140V	600V	
		N/A				N/A	N/A	
AC1040-02W-NA	1Φ 120 2W+G	40kA L-N	65kA with 200 Amp Breaker	10kA	Type 2	140V	800V	PVC Plastic Type 4
		40kA L-G				140V	1200V	
		40kA N-G				140V	600V	
		N/A				N/A	N/A	
AC1060-01-NA	1Φ 120 2W+G	60kA L-N	10kA with No Breaker	20kA	Type 1	140V	600V	PVC Plastic Type 1
		60kA L-G				140V	1000V	
		60kA N-G				140V	600V	
		N/A				N/A	N/A	
AC1060-01W-NA	1Φ 120 2W+G	60kA L-N	10kA with No Breaker	20kA	Type 1	140V	600V	PVC Plastic Type 4
		60kA L-G				140V	1000V	
		60kA N-G				140V	600V	
		N/A				N/A	N/A	
AC1060-02-NA	1Φ 120/240 2W+G	60kA L-N	65kA with 200 Amp Breaker	20kA	Type 2	140V	800V	PVC Plastic Type 1
		60kA L-G				140V	1200V	
		60kA N-G				140V	600V	
		N/A				N/A	N/A	
AC1060-02W-NA	1Φ 120 2W+G	60kA L-N	65kA with 200 Amp Breaker	20kA	Type 2	140V	800V	PVC Plastic Type 4
		60kA L-G				140V	1200V	
		60kA N-G				140V	600V	
		N/A				N/A	N/A	
AC1080-01-NA	1Φ 120 2W+G	80kA L-N	10kA with No Breaker	20kA	Type 1	140V	600V	PVC Plastic Type 1
		80kA L-G				140V	1000V	
		80kA N-G				140V	600V	
		N/A				N/A	N/A	
AC1080-01W-NA	1Φ 120 2W+G	80kA L-N	10kA with No Breaker	20kA	Type 1	140V	600V	PVC Plastic Type 4
		80kA L-G				140V	1000V	
		80kA N-G				140V	600V	
		N/A				N/A	N/A	
AC1080-02-NA	1Φ 120 2W+G	80kA L-N	65kA with 200 Amp Breaker	20kA	Type 2	140V	800V	PVC Plastic Type 1
		80kA L-G				140V	1200V	
		80kA N-G				140V	600V	
		N/A				N/A	N/A	
AC1080-02W-NA	1Φ 120 2W+G	80kA L-N	65kA with 200 Amp Breaker	20kA	Type 2	140V	800V	PVC Plastic Type 4
		80kA L-G				140V	1200V	
		80kA N-G				140V	600V	
		N/A				N/A	N/A	

- Operating Temperatures - -40° C to +80° C
- Suppression Connection - Hardwire (w/four 12 AWG wires)
- Form C Contact Connection: No Form C Contact



GS-07F-0435V



Certified to
ISO 9001:2000



TUV Rheinland
of North America

Raycap

REV 010410

Raycap, Inc. 806 W. Clearwater Loop • Post Falls • Idaho • 83854 • USA
Phone 208.777.1166 • Toll Free 800.890.2569 • Fax 208.777.4466 • www.raycapsurgeprotection.com