

# POWER

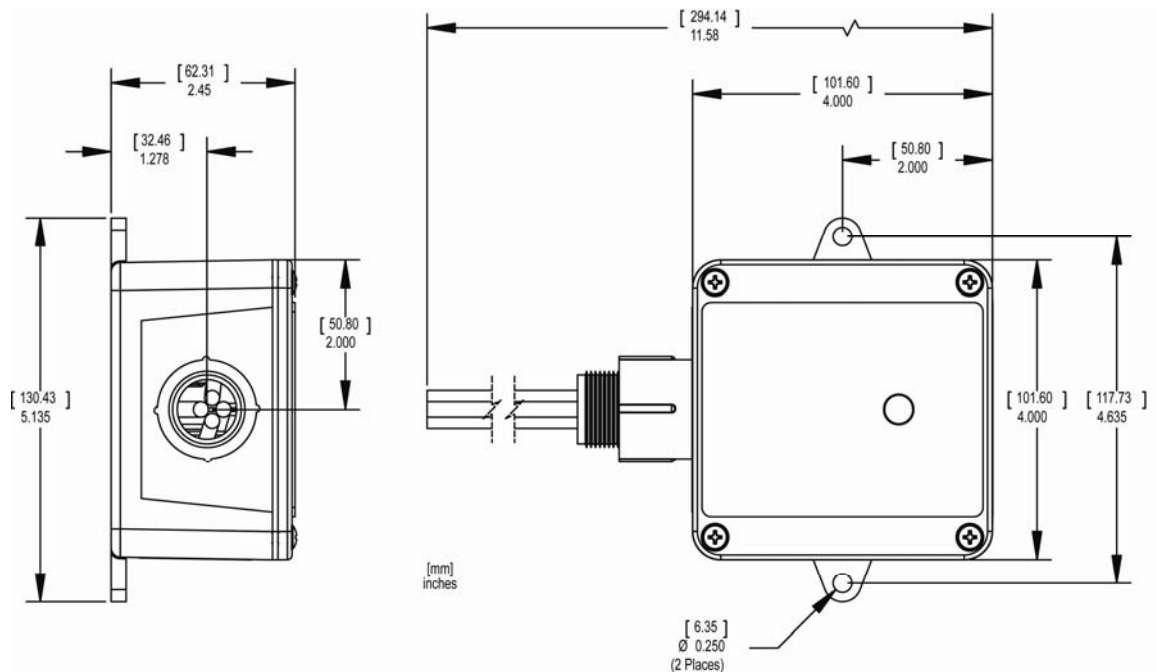
## AC OEM "M" SERIES SPLIT PHASE

AC Surge Suppression Solution

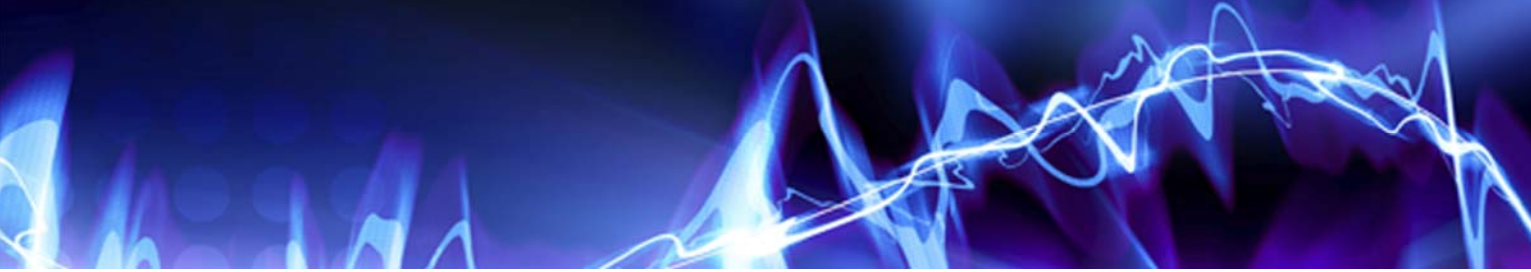
**ACData**

### FEATURES

- UL 1449 3<sup>rd</sup> Edition September 29, 2009
- Normal mode (L-N) suppression and common mode (N-G) suppression
- Thermally fused MOVs
- LED Visual verification of status
- Type 1 Indoor Rated Enclosure and Type 4 Outdoor Rated Enclosure
- Available in 40 kA, 60 kA, and 80 kA max surge capacity



**Raycap**



# AC OEM "M" — SPLIT PHASE



AC Power Surge Protection

Model	Operating Voltage	Surge Current Capacity	Fault Current Rating	Nominal Current (In)	SPD Type	MCOV	Voltage Protection Rating (VPR)	Enclosure Type
AC2040M-01-NA	1Φ 127/220 3W+G	40kA L-N	10kA with No Breaker	10kA	Type 1	175V	700V	PVC Plastic Type 1
		40kA L-G				175V	1200V	
		40kA N-G				175V	800V	
		40kA L-L				254V	1200V	
AC2040M-01W-NA	1Φ 127/220 3W+G	40kA L-N	10kA with No Breaker	10kA	Type 1	175V	700V	PVC Plastic Type 4
		40kA L-G				175V	1200V	
		40kA N-G				175V	800V	
		40kA L-L				254V	1200V	
AC2040M-02-NA	1Φ 127/220 3W+G	40kA L-N	65kA with 200 Amp Breaker	10kA	Type 2	175V	800V	PVC Plastic Type 1
		40kA L-G				175V	1200V	
		40kA N-G				175V	800V	
		40kA L-L				254V	1200V	
AC2040M-02W-NA	1Φ 127/220 3W+G	40kA L-N	65kA with 200 Amp Breaker	10kA	Type 2	175V	800V	PVC Plastic Type 4
		40kA L-G				175V	1200V	
		40kA N-G				175V	800V	
		40kA L-L				254V	1200V	
AC2060M-01-NA	1Φ 127/220 3W+G	60kA L-N	10kA with No Breaker	20kA	Type 1	175V	700V	PVC Plastic Type 1
		60kA L-G				175V	1200V	
		60kA N-G				175V	800V	
		60kA L-L				254V	1200V	
AC2060M-01W-NA	1Φ 127/220 3W+G	60kA L-N	10kA with No Breaker	20kA	Type 1	175V	700V	PVC Plastic Type 4
		60kA L-G				175V	1200V	
		60kA N-G				175V	800V	
		60kA L-L				254V	1200V	
AC2060M-02-NA	1Φ 127/220 3W+G	60kA L-N	65kA with 200 Amp Breaker	20kA	Type 2	175V	800V	PVC Plastic Type 1
		60kA L-G				175V	1200V	
		60kA N-G				175V	800V	
		60kA L-L				254V	1200V	
AC2060M-02W-NA	1Φ 127/220 3W+G	60kA L-N	65kA with 200 Amp Breaker	20kA	Type 2	175V	800V	PVC Plastic Type 4
		60kA L-G				175V	1200V	
		60kA N-G				175V	800V	
		60kA L-L				254V	1200V	
AC2080M-01-NA	1Φ 127/220 3W+G	80kA L-N	10kA with No Breaker	20kA	Type 1	175V	700V	PVC Plastic Type 1
		80kA L-G				175V	1200V	
		80kA N-G				175V	800V	
		80kA L-L				254V	1200V	
AC2080M-01W-NA	1Φ 127/220 3W+G	80kA L-N	10kA with No Breaker	20kA	Type 1	175V	700V	PVC Plastic Type 4
		80kA L-G				175V	1200V	
		80kA N-G				175V	800V	
		80kA L-L				254V	1200V	
AC2080M-02-NA	1Φ 127/220 3W+G	80kA L-N	65kA with 200 Amp Breaker	20kA	Type 2	175V	800V	PVC Plastic Type 1
		80kA L-G				175V	1200V	
		80kA N-G				175V	800V	
		80kA L-L				254V	1200V	
AC2080M-02W-NA	1Φ 127/220 3W+G	80kA L-N	65kA with 200 Amp Breaker	20kA	Type 2	175V	800V	PVC Plastic Type 4
		80kA L-G				175V	1200V	
		80kA N-G				175V	800V	
		80kA L-L				254V	1200V	

- Operating Temperatures - -40° C to +80° C
- Suppression Connection - Hardwire (w/four 12 AWG wires)
- Form C Contact Connection: No Form C Contact



GS-07F-0435V



Certified to ISO 9001:2000



TUV Rheinland of North America

