

POWER

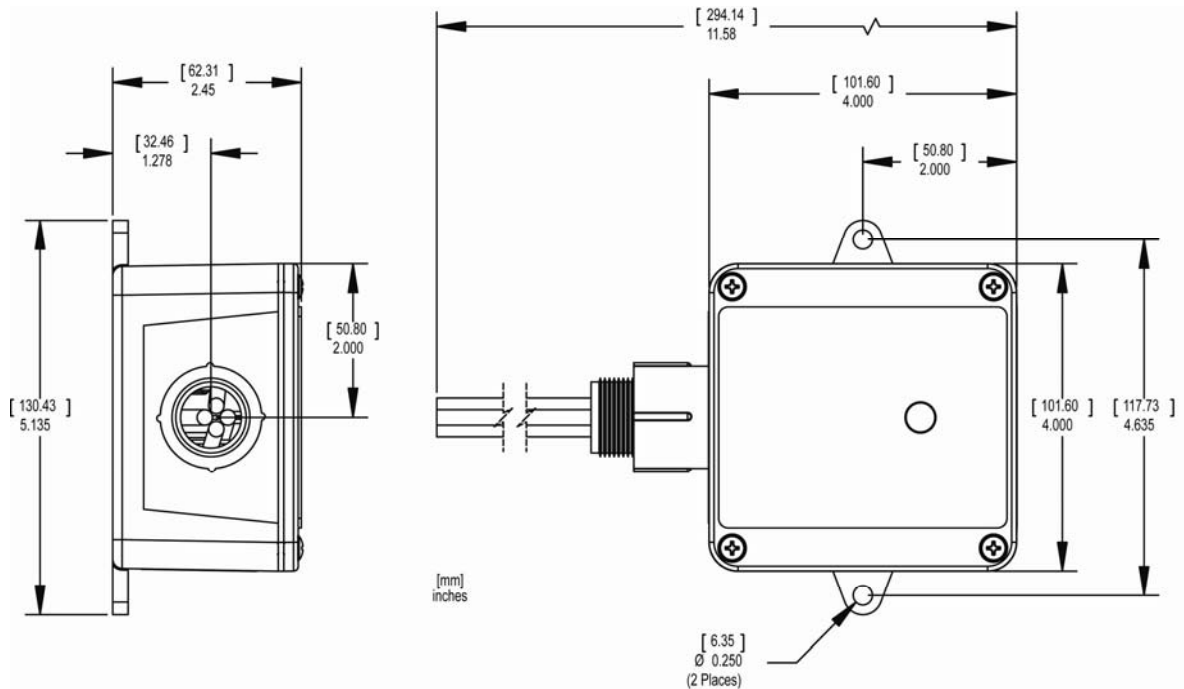
AC OEM Series

AC Surge Suppression Solutions

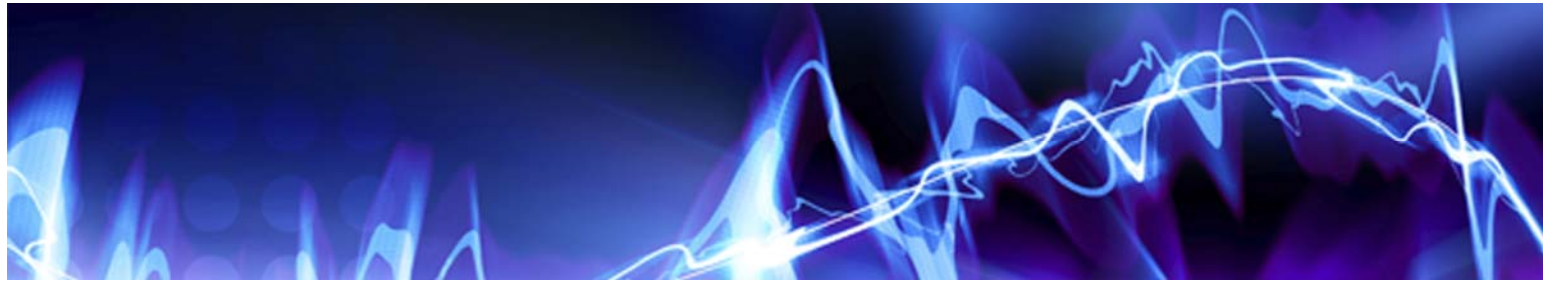
ACData

FEATURES:

- UL 1449 3rd Edition September 29, 2009
- Normal mode (L-N) suppression and common mode (N-G) suppression
- Thermally fused MOVs
- LED Visual verification of status
- Type 1 Indoor Rated Enclosure and Type 4 Outdoor Rated Enclosure
- Available in 40 kA, 60 kA, and 80 kA max surge capacity



Raycap



AC OEM Series

AC Power Surge Protection

ACData

Model	Operating Voltage	Surge Current Capacity	Fault Current Rating	Nominal Current (In)	SPD Type	MCOV	Voltage Protection Rating (VPR)	Enclosure Type
AC2040-01-NA	1Φ 120/240 3W+G	40kA L-N	10kA with No Breaker	10kA	Type 1	140V	600V	PVC Plastic Type 1
		40kA L-G				140V	1000V	
		40kA N-G				140V	600V	
		40kA L-L				280V	1000V	
AC2040-01W-NA	1Φ 120/240 3W+G	40kA L-N	10kA with No Breaker	10kA	Type 1	140V	600V	PVC Plastic Type 4
		40kA L-G				140V	1000V	
		40kA N-G				140V	600V	
		40kA L-L				280V	1000V	
AC2040-02-NA	1Φ 120/240 3W+G	40kA L-N	65kA with 200 Amp Breaker	10kA	Type 2	140V	800V	PVC Plastic Type 1
		40kA L-G				140V	1200V	
		40kA N-G				140V	600V	
		40kA L-L				280V	1200V	
AC2040-02W-NA	1Φ 120/240 3W+G	40kA L-N	65kA with 200 Amp Breaker	10kA	Type 2	140V	800V	PVC Plastic Type 4
		40kA L-G				140V	1200V	
		40kA N-G				140V	600V	
		40kA L-L				280V	1200V	
AC2060-01-NA	1Φ 120/240 3W+G	60kA L-N	10kA with No Breaker	20kA	Type 1	140V	600V	PVC Plastic Type 1
		60kA L-G				140V	1000V	
		60kA N-G				140V	600V	
		60kA L-L				280V	1000V	
AC2060-01W-NA	1Φ 120/240 3W+G	60kA L-N	10kA with No Breaker	20kA	Type 1	140V	600V	PVC Plastic Type 4
		60kA L-G				140V	1000V	
		60kA N-G				140V	600V	
		60kA L-L				280V	1000V	
AC2060-02-NA	1Φ 120/240 3W+G	60kA L-N	65kA with 200 Amp Breaker	20kA	Type 2	140V	800V	PVC Plastic Type 1
		60kA L-G				140V	1200V	
		60kA N-G				140V	600V	
		60kA L-L				280V	1200V	
AC2060-02W-NA	1Φ 120/240 3W+G	60kA L-N	65kA with 200 Amp Breaker	20kA	Type 2	140V	800V	PVC Plastic Type 4
		60kA L-G				140V	1200V	
		60kA N-G				140V	600V	
		60kA L-L				280V	1200V	
AC2080-01-NA	1Φ 120/240 3W+G	80kA L-N	10kA with No Breaker	20kA	Type 1	140V	600V	PVC Plastic Type 1
		80kA L-G				140V	1000V	
		80kA N-G				140V	600V	
		80kA L-L				280V	1000V	
AC2080-01W-NA	1Φ 120/240 3W+G	80kA L-N	10kA with No Breaker	20kA	Type 1	140V	600V	PVC Plastic Type 4
		80kA L-G				140V	1000V	
		80kA N-G				140V	600V	
		80kA L-L				280V	1000V	
AC2080-02-NA	1Φ 120/240 3W+G	80kA L-N	65kA with 200 Amp Breaker	20kA	Type 2	140V	800V	PVC Plastic Type 1
		80kA L-G				140V	1200V	
		80kA N-G				140V	600V	
		80kA L-L				280V	1200V	
AC2080-02W-NA	1Φ 120/240 3W+G	80kA L-N	65kA with 200 Amp Breaker	20kA	Type 2	140V	800V	PVC Plastic Type 4
		80kA L-G				140V	1200V	
		80kA N-G				140V	600V	
		80kA L-L				280V	1200V	

REV 102909



GS-07F-0435V



Certified to
ISO 9001:2000



TUV Rheinland
of North America