

# Motorola R56 2005 Version Approved Surge Blox™ 200 Series *Modular* AC Surge Suppression Solutions

## FEATURES

- UL Listed 1449 2nd Edition February 2007
- Motorola R56 2005 version approved surge protection device
- Patented stackable, modular design
- Patent pending hybrid SAD/MOV coordination technology
- Patent pending anti-arcing technology
- Patented audio coupled alarm annunciation
- Patented multi-stage alarm technology

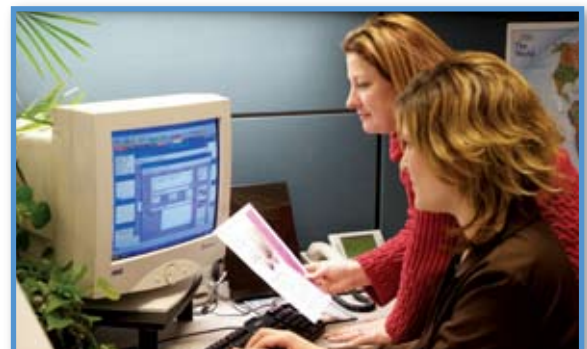
ACData's Surge Blox 200 modules are offered in a patented circuit design and assembly to provide optimal surge suppression solutions. Per phase, modules may be installed individually or vertically stacked to upgrade protection. Surge Blox 200 panels are available in a variety of service voltages and are the ideal choice for AC service entrance and distribution panel suppression.

The Surge Blox 200 design utilizes silicon avalanche diodes (SADs) and/or metal oxide varistors (MOVs) in easy-to-replace-and-upgrade modular designs. SAD and MOV modules are independently alarmed, and MOV components are individually thermal fused for reliable protection. Green and red LEDs provide visual verification of protection status. Form C contacts are also available.

*From order entry to shipment processing, ACData is committed to customer service and quality.*



*Surge Blox 200 series is the ideal solution for AC service entrance and distribution panel suppression.*



# Surge Blox™ 200 Series Modular

## SURGE BLOX PANEL SPECIFICATIONS

<b>Motorola Part Number</b>	RRDN6854A	RRDN6855A	RRDN6856A	RRDN6857A
<b>Motorola R56</b>	Type 1	Type 1	Type 2	Type 2
<b>ACData Model Number</b>	B82XPR	B84XPR	B82XRR	B84XRR
<b>System Voltage</b>	120/240 VAC 3W+G	208Y/120 VAC 4W+G	120/240 VAC 3W+G	208Y/120 VAC 4W+G
<b>Suppression Technology</b>	SAD/MOV	SAD/MOV	MOV	MOV
<b>Protection Modes</b>	One 50 kA rated SAD module and one 160 kA rated MOV module connected from each line to neutral		Two 160 kA rated MOV modules connected from each line to neutral	
<b>*Suppressed Voltage Rating, 500 A 8/20µs</b>	330 V	330 V	400 V	400 V
<b>*Voltage Protection Level at 10 kA 8/20 µs</b>	490 V	490 V	525 V	525 V
<b>*Maximum Discharge Current, 8/20 µs</b>	160 kA	160 kA	160 kA	160 kA
<b>Remote Monitoring</b>	One set form C contacts, NO/NC			
<b>Operating Temperature</b>	-40 C to +65 C			
<b>Operating Humidity</b>	0-95%, non-condensing			
<b>Altitude Range</b>	-500 to 15,000 feet			
<b>Enclosure Type</b>	NEMA 4X, Fiberglass			
<b>Dimensions</b>	15.5" x 13.9" x 6.3" (39.3 x 35.2 x 16.1 cm)			

\*Based on actual test performed at Ryan Labs. Certified test report available upon request.



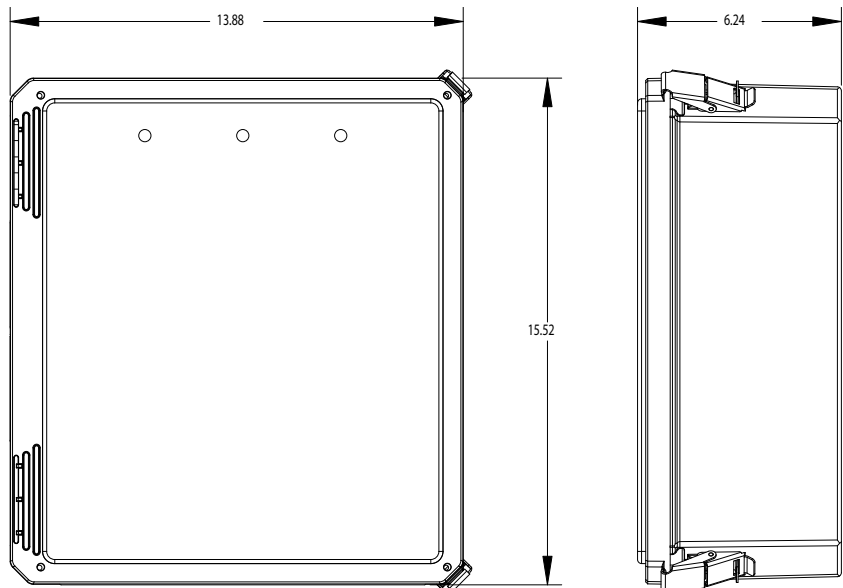
All of ACData's Motorola R56 approved surge suppression devices are subjected to rigorous testing standards at Ryan Labs™.

**ACData**  
SOLUTIONS

806 W. Clearwater Loop  
Suite C, Post Falls, Idaho 83854  
P 208.777.1166 T 800.890.2569  
F 208.777.4466 www.acdata.com



REV. 031407-M



**ACData**  
SOLUTIONS

ACData is dedicated to exceeding our customers' expectations by providing quality products, personal service, and responsiveness through communication, responsibility, teamwork and innovation. We are committed to complete customer service through a comprehensive warranty plan, 24 hour customer care, and complete engineering support.